

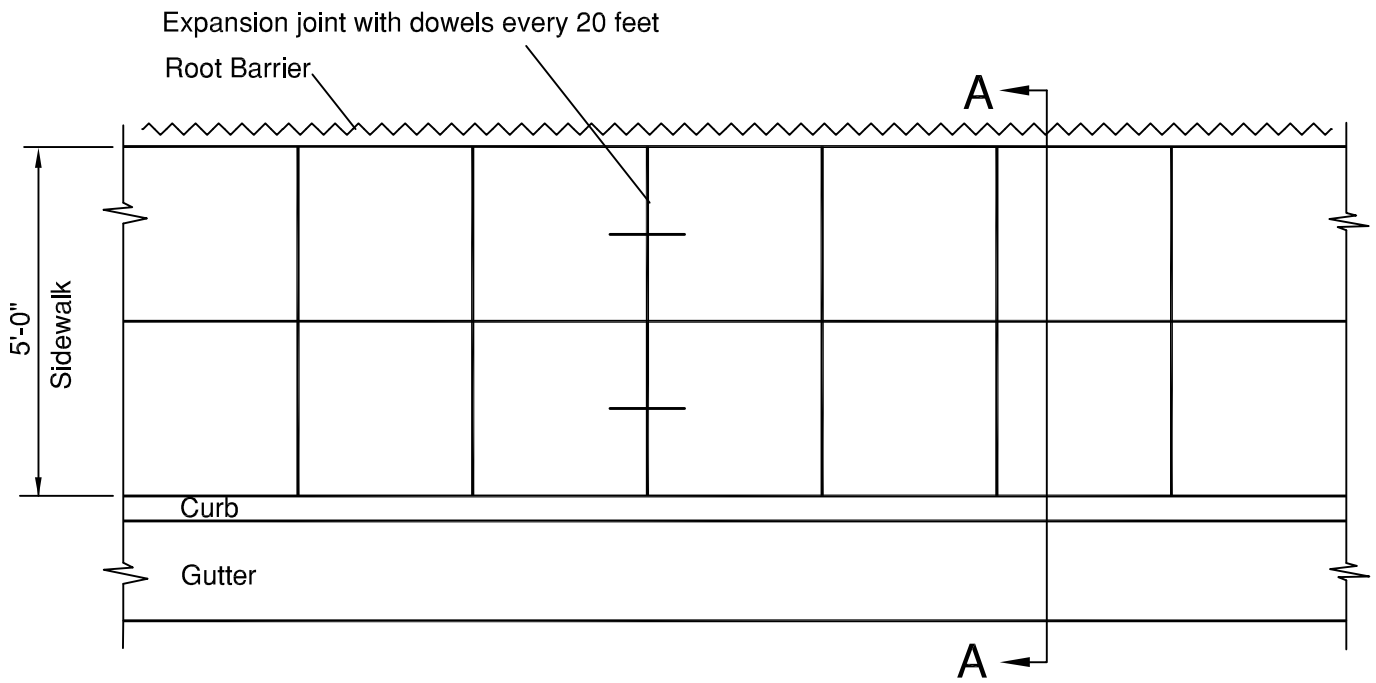
**Streets**

# CITY/EMID STANDARD DETAILS

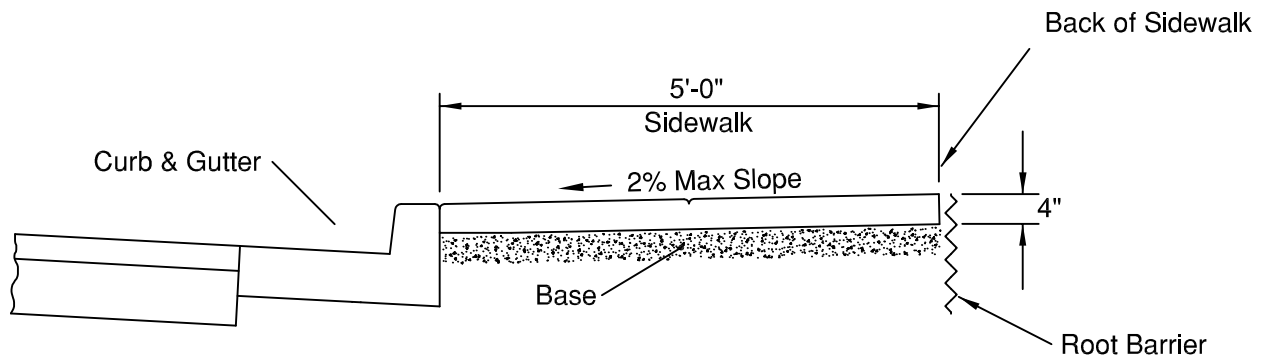
## TABLE OF CONTENTS

### STREETS

STANDARD SIDEWALK DETAIL .....	ST 001
SIDEWALK REPLACEMENT .....	ST 002
CURB DRAIN.....	ST 003
LANDSCAPE CLEARANCES .....	ST 004
LANDSCAPE CELARANCES AT LIGHT POLES .....	ST 005
STANDARD CURB AND GUTTER.....	ST 009
BOULEVARD SINGLE-ARM ELECTROLIER.....	ST 020
BOULEVARD DOUBLE-ARM ELECTROLIER .....	ST 021
RESIDENTIAL ELECTROLIER.....	ST 022
COMMERCIAL DRIVEWAY .....	ST 025
STREET NAME SIGN DETAIL .....	ST 030
STREET NAME SIGN DETAIL .....	ST 031
STREET NAME SIGN DETAIL .....	ST 032
UTILITY TRENCH -- PAVED AREA .....	ST 035
UTILITY TRENCH -- UNPAVED AREA .....	ST 036
ROCKWHEEL TRENCH.....	ST 037



**PLAN**



**SECTION A-A**

**NOTES:**

1. Sidewalk shall be 4" thick Class A (6 Sack) PCC
2. One pint of Lampblack shall be added to each cubic yard of concrete.
3. Base shall be 4" thick Class 2 (1/2" max) AB compacted to 95% relative compaction.
4. Expansion joints with dowels shall be installed every 20 feet and at the end of curb returns.
5. Where new pour abuts existing concrete, 8" long, No. 4 steel rebar shall be installed 4" into existing concrete.
6. Root barrier (80 mil HDPE) 18" deep shall be installed behind all new sidewalk.
7. Dowels shall be 8" long, No 4 steel rebar.

File ~ J:\CITY STANDARD DETAILS 2005\Streets\ST 001.dwg

ESTERO MUNICIPAL IMPROVEMENT DISTRICT  
CITY OF FOSTER CITY, CALIFORNIA

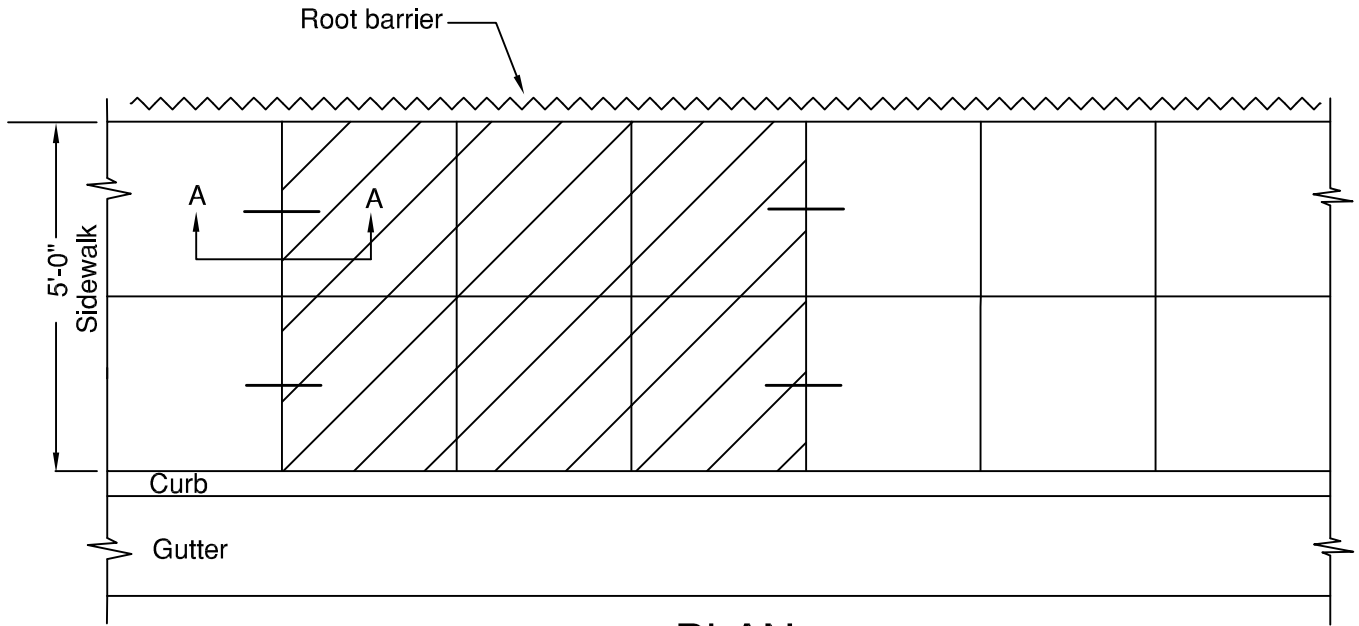
STREETS  
**STANDARD SIDEWALK DETAIL**

Rev	Date	Description
DWN:		Dwg No. ST 001
CHK:		Sheet of

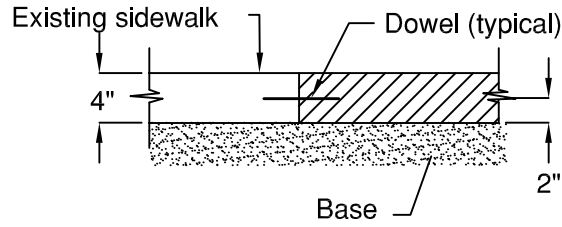
APPROVED: \_\_\_\_\_  
CITY/DISTRICT ENGINEER

APPROVED: \_\_\_\_\_  
DEPARTMENT SUPERVISOR

Scale: None  
Date: \_\_\_\_\_



— PLAN —



— SECTION A -A —

**NOTES:**

1. Sidewalk shall be 4" thick Class A (6 Sack) PCC.
2. One pint of lampblack shall be added to each cubic yard of concrete.
3. Base shall be 4" thick Class 2 (1/2" max) AB compacted to 95% relative compaction.
4. Expansion joints shall be installed every 20 feet and at the end of curb returns.
5. Where new pour abuts existing concrete, 8" long, No. 4 steel rebar shall be installed 4" into existing concrete.
6. Root barrier (80 mil HDPE) 18" deep shall be installed behind sidewalk where applicable.
7. Sawcut at scoreline and remove only complete squares of concrete.

File ~ J:\CITY STANDARD DETAILS 2005\Streets\ST 002.dwg

ESTERO MUNICIPAL IMPROVEMENT DISTRICT  
CITY OF FOSTER CITY, CALIFORNIA

STREETS  
SIDEWALK REPLACEMENT

Rev	Date	Description
DWN:		Dwg No. ST 002
CHK:		Sheet of

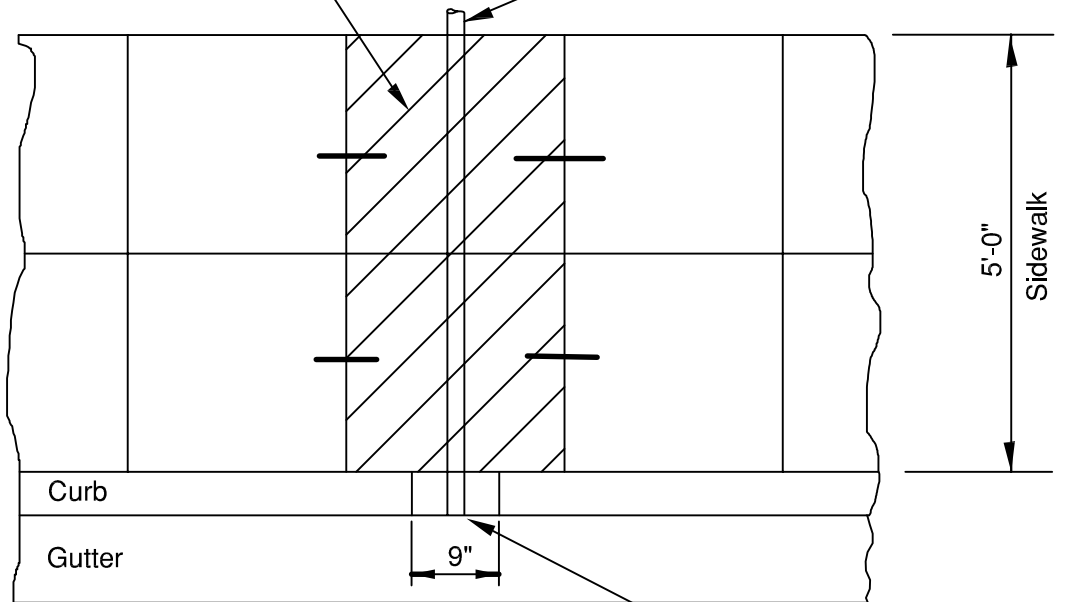
APPROVED: \_\_\_\_\_  
CITY/DISTRICT ENGINEER

APPROVED: \_\_\_\_\_  
DEPARTMENT SUPERVISOR

Scale: None  
Date:

Remove and replace sidewalk

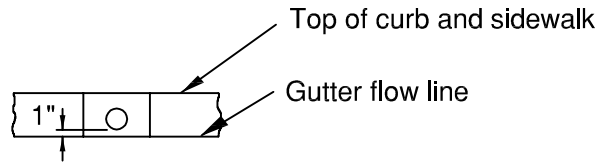
3" Diameter PVC pipe



'A' 'A'

- PLAN -

Cut pipe flush with face of curb



- SECTION A-A -

## NOTES:

1. Sidewalk shall be 4" thick Class A (6 Sack) PCC.
2. One pint of lampblack shall be added to each cubic yard of concrete.
3. Base shall be 4" thick Class 2 (1/2" max) AB compacted to 95% relative compaction.
4. Drain pipe shall be 3" Schedule 40 PVC for 6" curb face.
5. Where new pour abuts existing concrete, 8" long, No. 4 steel rebar shall be installed 4" into existing concrete.
6. Root barrier (80 mil HDPE) 18" deep shall be installed behind sidewalk where applicable.
7. Core drill or remove 9" of curb to install pipe.
8. Sawcut at scoreline and remove only complete squares of sidewalk.

File ~ J:\CITY STANDARD DETAILS 2005\Streets\ST 003.dwg

ESTERO MUNICIPAL IMPROVEMENT DISTRICT  
CITY OF FOSTER CITY, CALIFORNIA

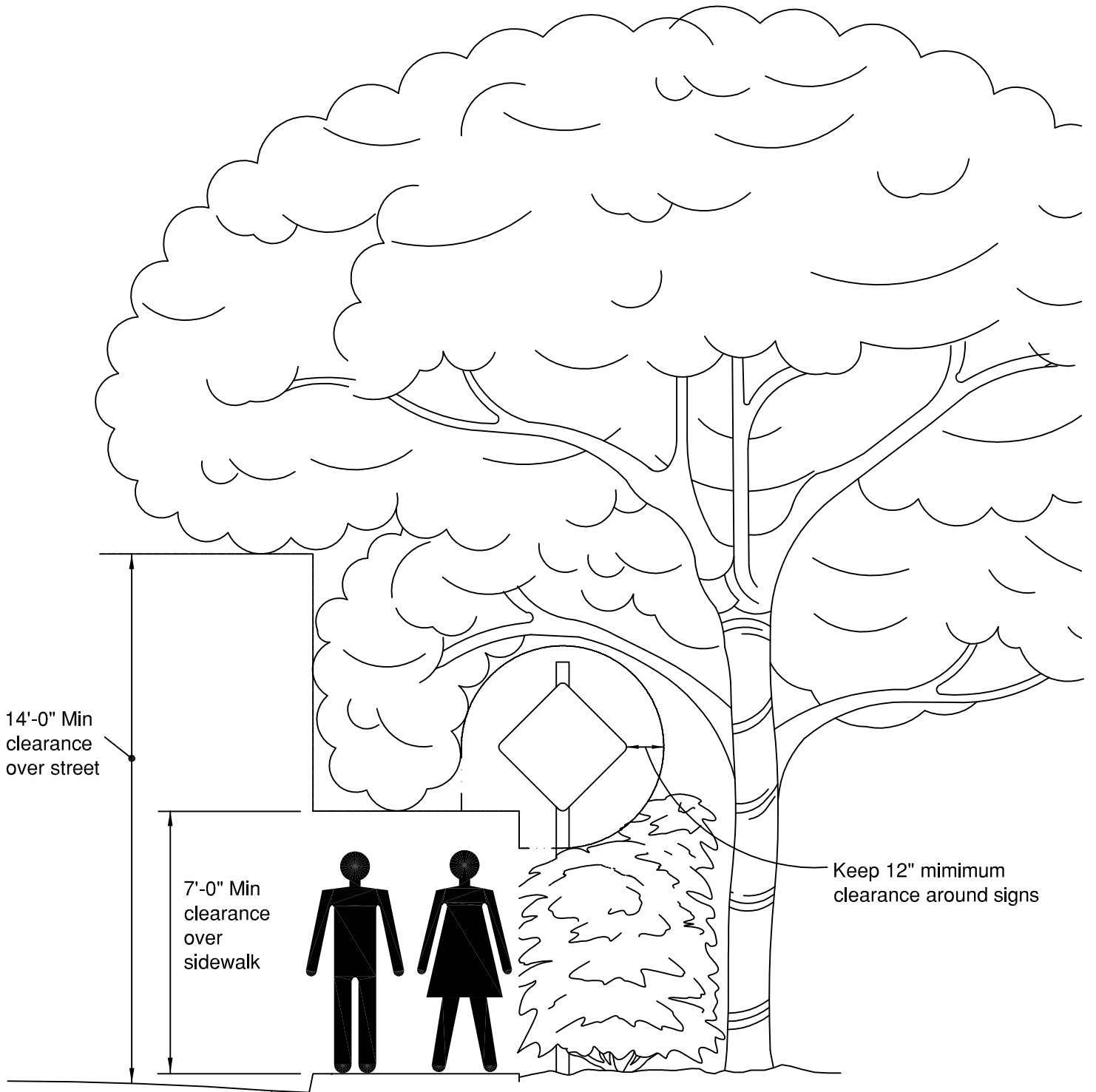
STREETS  
CURB DRAIN

Rev	Date	Description
DWN:		Dwg No. ST 003
CHK:		Sheet of

APPROVED: \_\_\_\_\_  
CITY/DISTRICT ENGINEER

APPROVED: \_\_\_\_\_  
DEPARTMENT SUPERVISOR

Scale: None  
Date:



**NOTE:**

1. Keep all trees and shrubs clear of sidewalks, streets, signs, and signals.

File ~ J:\CITY STANDARD DETAILS 2005\Streets\ST 004.dwg

ESTERO MUNICIPAL IMPROVEMENT DISTRICT  
CITY OF FOSTER CITY, CALIFORNIA

STREETS  
**LANDSCAPE CLEARANCES**

Rev	Date	Description

APPROVED: \_\_\_\_\_  
CITY/DISTRICT ENGINEER

APPROVED: \_\_\_\_\_  
DEPARTMENT SUPERVISOR

Scale: None  
Date: \_\_\_\_\_

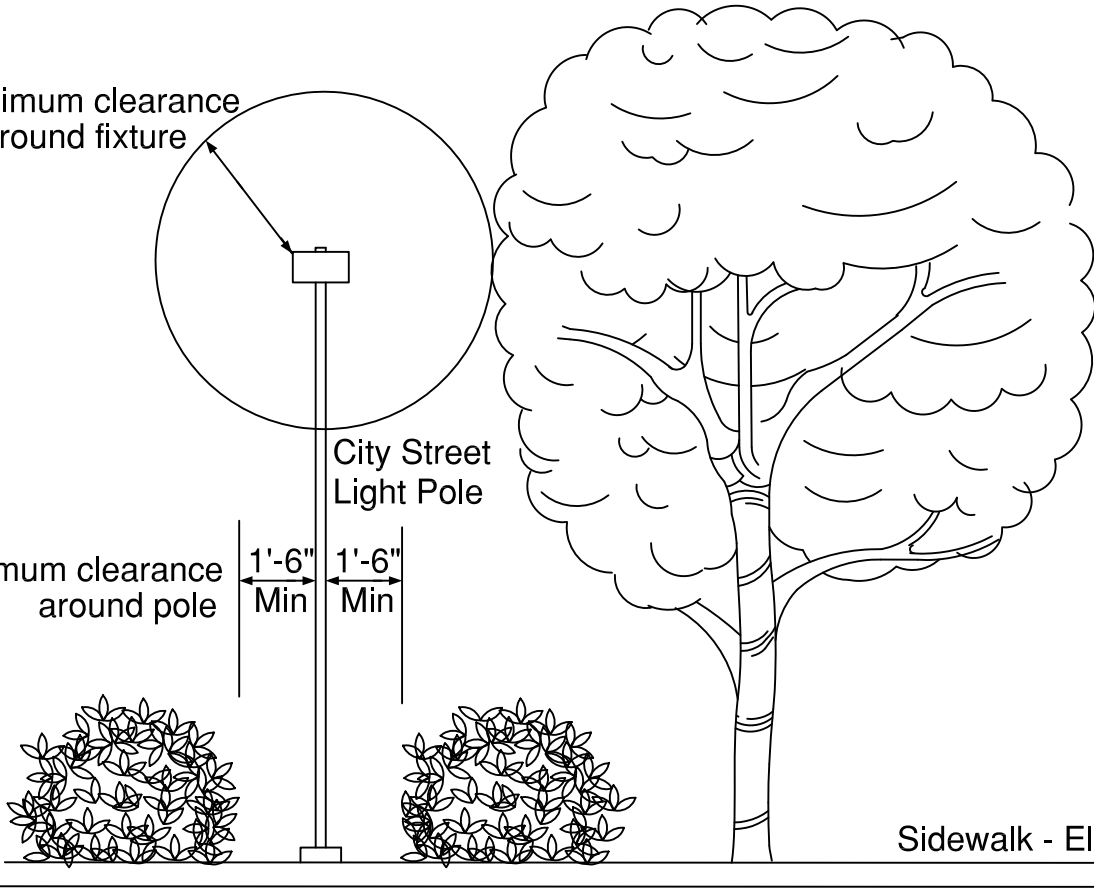
DWN: \_\_\_\_\_ Dwg No. ST 004  
CHK: \_\_\_\_\_ Sheet of \_\_\_\_\_

4'-0" Minimum clearance  
around fixture

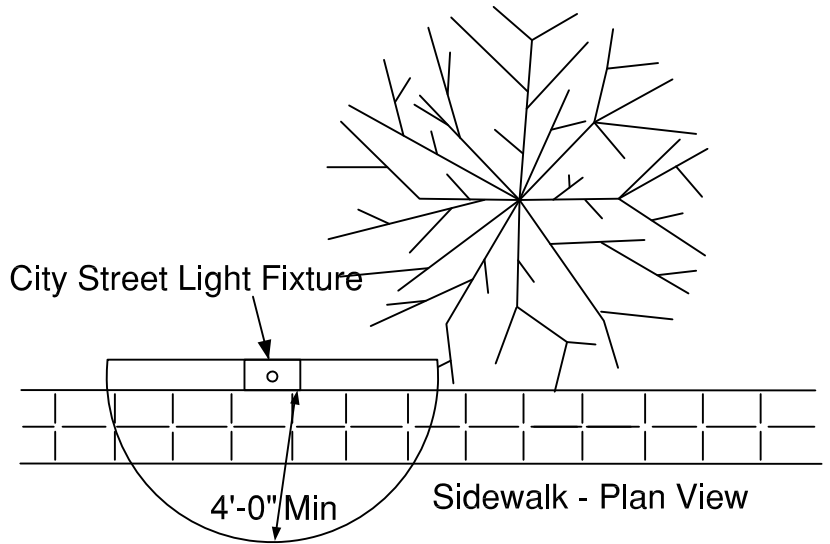
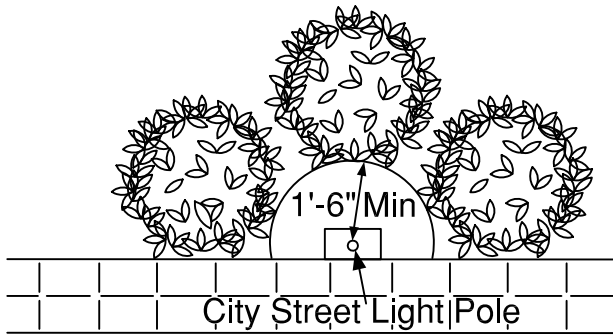
Minimum clearance  
around pole

1'-6"  
Min

City Street  
Light Pole



Sidewalk - Elevation View



Sidewalk - Plan View

To allow for proper illumination of the sidewalk and roadway,  
all landscape must be trimmed so that no part of the tree/bush/hedge:

1. Covers the top or front of the street light fixture
2. Comes within 4'-0" front or sides of the street light fixture
3. Grows in front of the light pole
4. Grows within 1'-6" of the sides or back of the light pole

File ~ J:\CITY STANDARD DETAILS 2005\Streets\ST 005-1.dwg

ESTERO MUNICIPAL IMPROVEMENT DISTRICT  
CITY OF FOSTER CITY, CALIFORNIA

STREETS  
LANDSCAPE CLEARANCES AT LIGHT POLES

Rev	Date	Description
DWN:		Dwg No. ST 005
CHK:		Sheet of

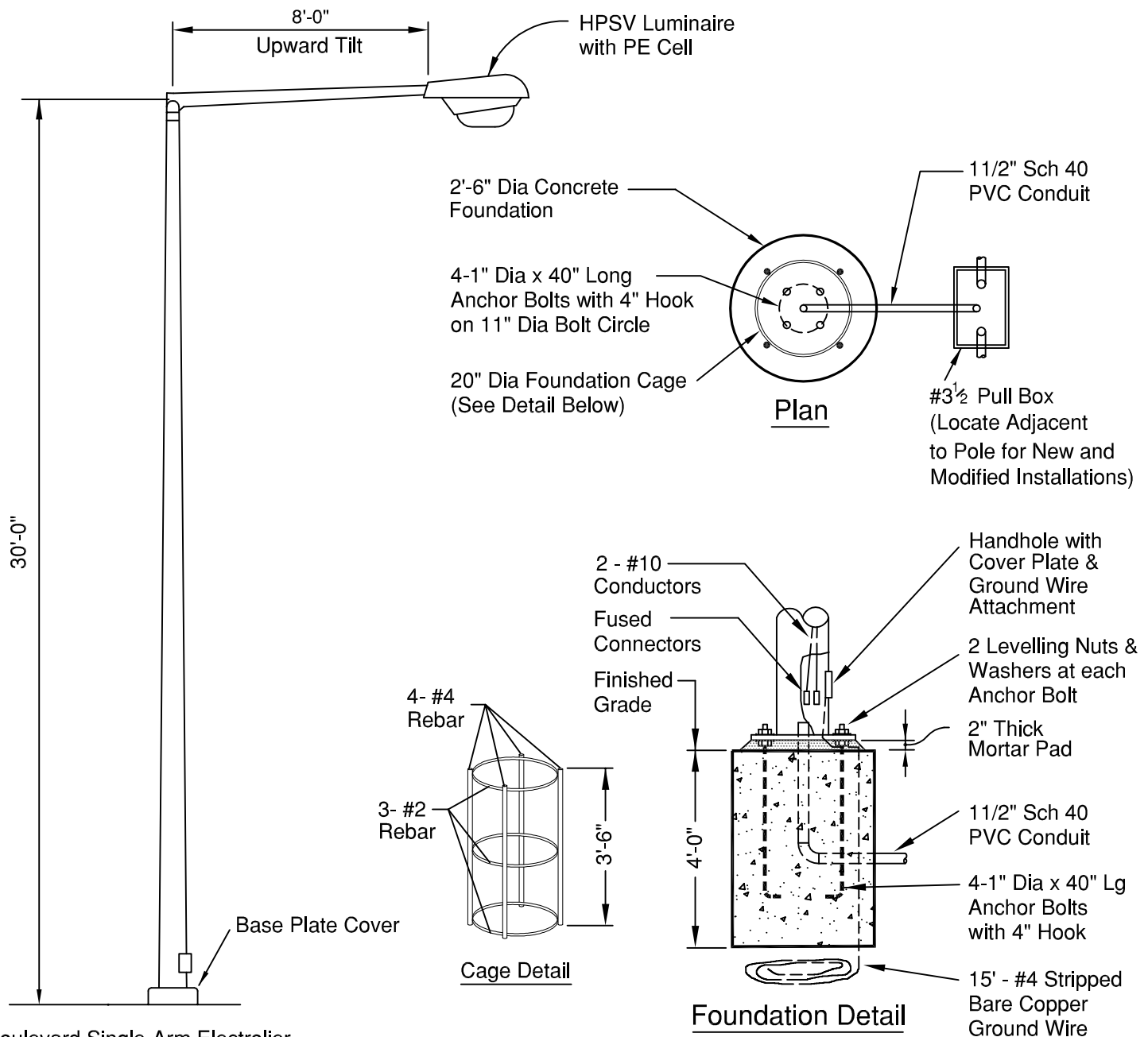
APPROVED: \_\_\_\_\_  
CITY/DISTRICT ENGINEER

APPROVED: \_\_\_\_\_  
DEPARTMENT SUPERVISOR

Scale: None  
Date:







**Boulevard Single-Arm Electrolier**

**NOTES:**

1. Foundation shall be constructed from Class A (6 Sack) PCC
2. Anchor Bolts shall be galvanized 1" dia, 40" long with a 4" hook
3. See City Specifications for pole and Mast arm requirements
4. See City Specifications for Luminaire requirements
5. Pole shall be erected plumb and square
6. Top of foundation shall be finished and trimmed to adjacent curb or sidewalk grade.

File ~ J:\CITY STANDARD DETAILS 2005\Streets\ST 020.dwg

ESTERO MUNICIPAL IMPROVEMENT DISTRICT  
CITY OF FOSTER CITY, CALIFORNIA

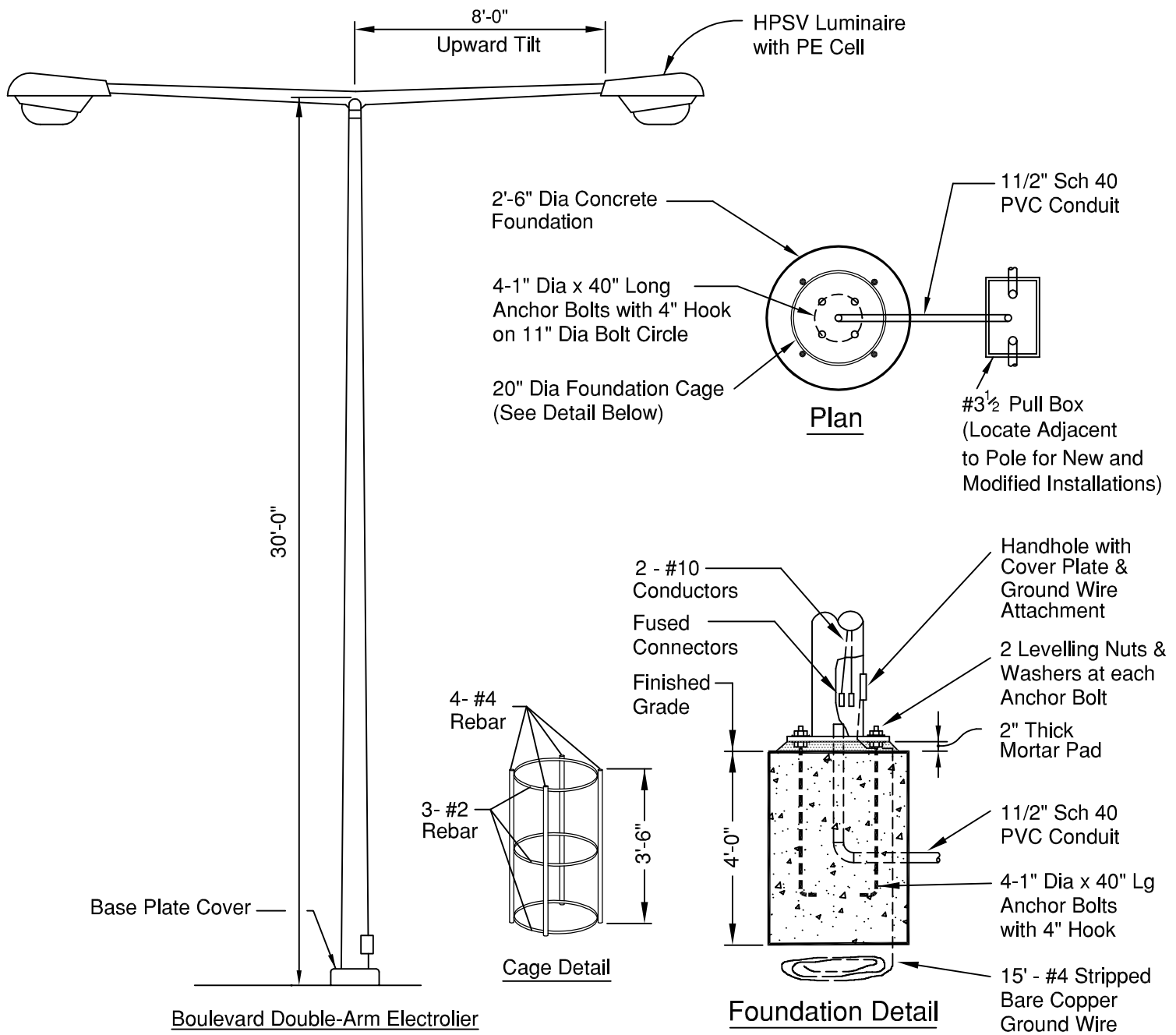
STREETS  
**BOULEVARD SINGLE-ARM ELECTROLIER**

Rev	Date	Description
DWN:		Dwg No. ST 020
CHK:		Sheet of

APPROVED: \_\_\_\_\_  
CITY/DISTRICT ENGINEER

APPROVED: \_\_\_\_\_  
DEPARTMENT SUPERVISOR

Scale: None  
Date:



Boulevard Double-Arm Electrolier

Foundation Detail

**NOTES:**

1. Foundation shall be constructed from Class A (6 Sack) PCC
2. Anchor Bolts shall be galvanized 1" dia, 40" long with a 4" hook
3. See City Specifications for pole and Mast arm requirements
4. See City Specifications for Luminaire requirements
5. Pole shall be erected plumb and square
6. Top of foundation shall be finished and trimmed to adjacent curb or sidewalk grade.

File ~ J:\CITY STANDARD DETAILS 2005\Streets\ST 021.dwg

ESTERO MUNICIPAL IMPROVEMENT DISTRICT  
CITY OF FOSTER CITY, CALIFORNIA

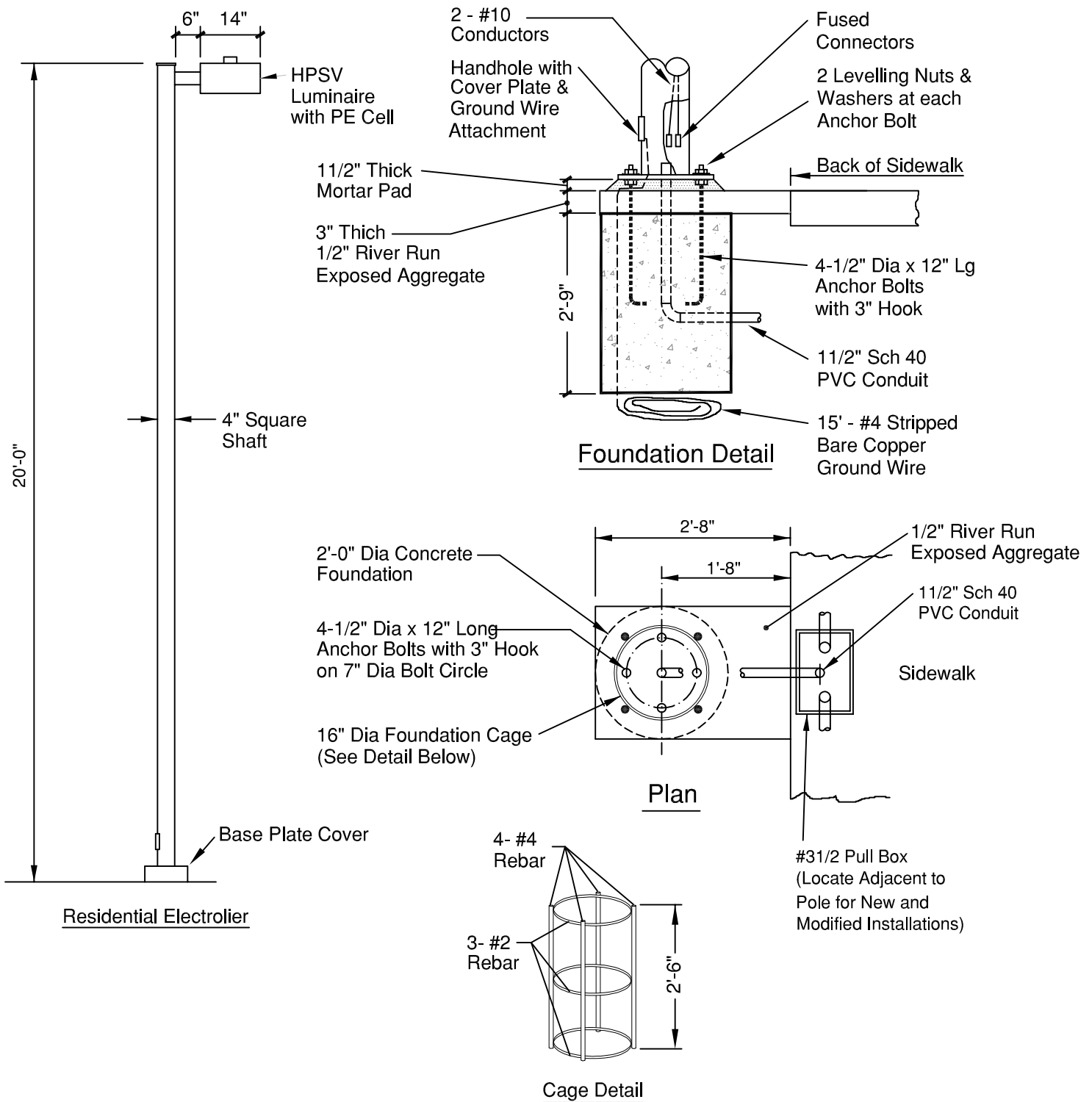
STREETS  
**BOULEVARD DOUBLE-ARM ELECTROLIER**

Rev	Date	Description
DWN:		Dwg No. ST 021
CHK:		Sheet of

APPROVED: \_\_\_\_\_  
CITY/DISTRICT ENGINEER

APPROVED: \_\_\_\_\_  
DEPARTMENT SUPERVISOR

Scale: None  
Date:



**NOTES:**

1. Foundation shall be constructed from Class A (6 Sack) PCC
2. Anchor Bolts shall be galvanized 1/2" dia, 12" long with a 3" hook
3. See City Specifications for pole and Mast arm requirements
4. See City Specifications for Luminaire requirements
5. Pole shall be erected plumb and square

File - J:\CITY STANDARD DETAILS 2005\Streets\ST 022.dwg

ESTERO MUNICIPAL IMPROVEMENT DISTRICT  
CITY OF FOSTER CITY, CALIFORNIA

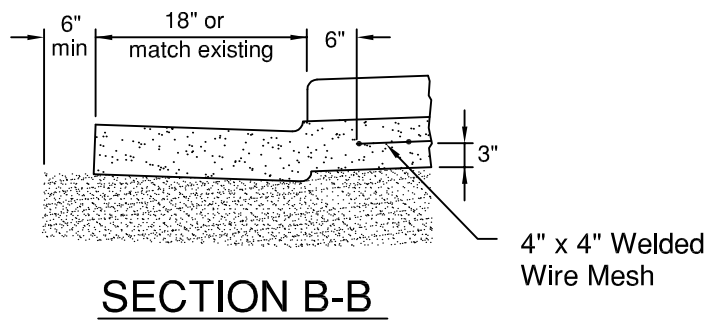
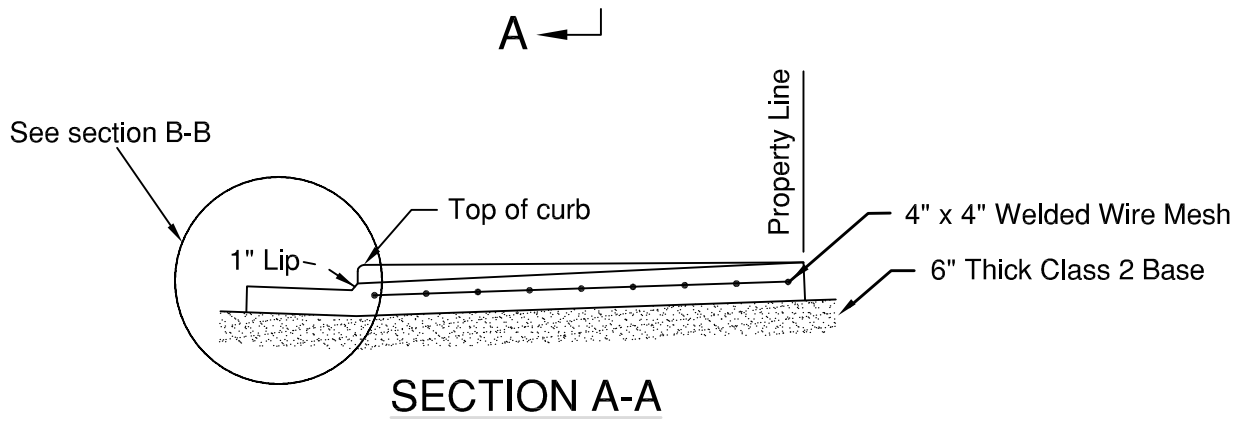
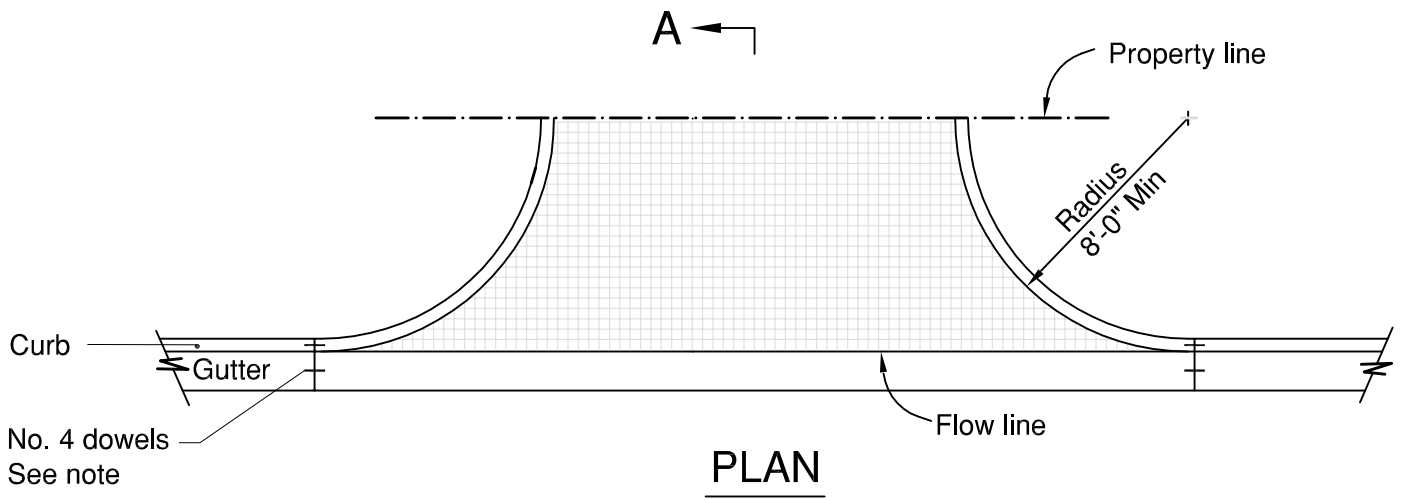
STREETS  
**RESIDENTIAL ELECTROLIER**

Rev	Date	Description
DWN:		Dwg No. ST 022
CHK:		Sheet of

APPROVED: \_\_\_\_\_  
CITY/DISTRICT ENGINEER

APPROVED: \_\_\_\_\_  
DEPARTMENT SUPERVISOR

Scale: None  
Date: \_\_\_\_\_



**NOTES:**

1. Driveway shall be 6" thick Class A (6 Sack) PCC.
2. One pint of lampblack shall be added to each cubic yard of concrete.
3. Driveway Base shall be 6" thick Class 2 (1/2" max) AB compacted to 95% relative compaction.
4. Welded Wire Mesh 4"x4" shall be installed over entire driveway area
5. Where new pour abuts existing concrete, 8" long, No. 4 steel rebar shall be installed 4" into existing concrete.
6. Root barrier 18" deep shall be installed behind sidewalk where applicable.

File - J:\CITY STANDARD DETAILS 2005\Streets\ST 025.dwg

ESTERO MUNICIPAL IMPROVEMENT DISTRICT  
CITY OF FOSTER CITY, CALIFORNIA

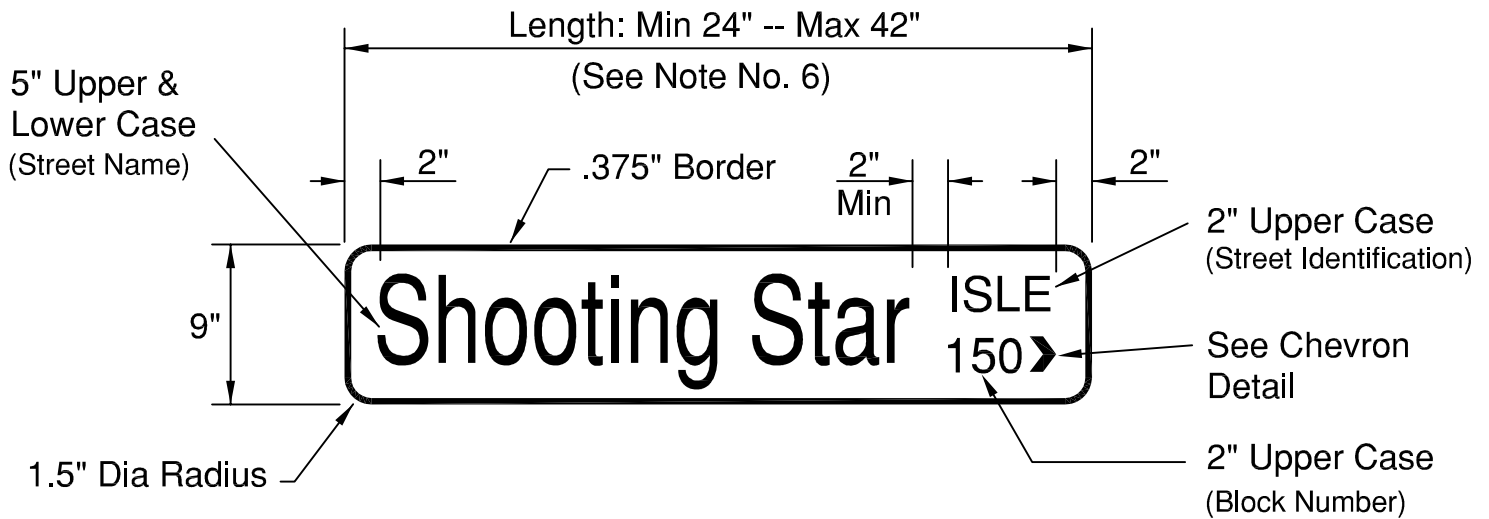
STREETS  
**COMMERCIAL DRIVEWAY**

Rev	Date	Description
DWN:		Dwg No. ST 025
CHK:		Sheet of

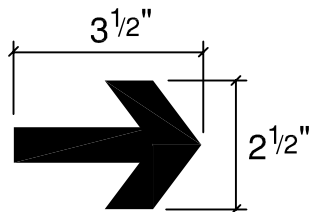
APPROVED: \_\_\_\_\_  
CITY/DISTRICT ENGINEER

APPROVED: \_\_\_\_\_  
DEPARTMENT SUPERVISOR

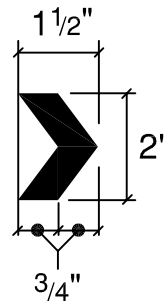
Scale: None  
Date: \_\_\_\_\_



## TYPICAL RESIDENTIAL STREET NAME SIGN



Arrow Detail  
(Type 'H' Signs Only)



Chevron Detail

### NOTES:

1. Sign blade shall be .080 ga aluminum.
2. Reflective sheeting shall be white 3M Scotchlite, Diamond Grade, VIP or Engineer approved equal.
3. Sign face shall be blue Silk Screened and ink shall conform to 3M Series 880 or Engineer approved equal.
4. Street name letters shall be Highway Gothic, Type 'C' font, 5" high upper and lower case.
5. Street identification letters and block number (if required) shall be 2" Highway Gothic, Type 'C' font, upper case
6. Spacing between letters shall be a minimum of one stroke width.

File ~ J:\CITY STANDARD DETAILS 2005\Streets\ST 030.dwg

ESTERO MUNICIPAL IMPROVEMENT DISTRICT  
CITY OF FOSTER CITY, CALIFORNIA

STREETS  
STREET NAME SIGN DETAIL

Rev	Date	Description
DWN:		Dwg No. ST 030
CHK:		Sheet 1 of 3

APPROVED: \_\_\_\_\_  
CITY/DISTRICT ENGINEER

APPROVED: \_\_\_\_\_  
DEPARTMENT SUPERVISOR

Scale: None  
Date: \_\_\_\_\_



(FRONT)

### TYPE 'A'

SINGLE SIDE (No Block Designation)



(FRONT)

### TYPE 'B'

SINGLE SIDE  
Block No. with Chevron pointing right



(FRONT)

### TYPE 'C'

SINGLE SIDE  
Block No. with Chevron pointing left



(FRONT & BACK)

### TYPE 'D'

DOUBLE SIDE (No Block Designation)



(FRONT & BACK)

### TYPE 'E'

DOUBLE SIDE  
Block END

### TYPE 'F'

DOUBLE SIDE

Block No. with Chevron pointing right on front of sign

Block No. with Chevron pointing left on back of sign



(FRONT)



(BACK)

File - J:\CITY STANDARD DETAILS 2005\Streets\ST 031.dwg

ESTERO MUNICIPAL IMPROVEMENT DISTRICT  
CITY OF FOSTER CITY, CALIFORNIA

STREETS  
STREET NAME SIGN DETAIL

Rev	Date	Description
DWN:		Dwg No. ST 031
CHK:		Sheet 2 of 3

APPROVED: \_\_\_\_\_  
CITY/DISTRICT ENGINEER

APPROVED: \_\_\_\_\_  
DEPARTMENT SUPERVISOR

Scale: None  
Date:



(FRONT)

### TYPE 'G'

SINGLE SIDE Block END

### TYPE 'H'

DOUBLE SIDE

Arrow pointing right on front of sign

Arrow pointing left on back of sign



(FRONT)



(BACK)



(FRONT)

### TYPE 'I'

SINGLE SIDE

Arrow pointing right



(FRONT)

### TYPE 'J'

SINGLE SIDE

Arrow pointing left

File ~ J:\CITY STANDARD DETAILS 2005\Streets\ST 032.dwg

ESTERO MUNICIPAL IMPROVEMENT DISTRICT  
CITY OF FOSTER CITY, CALIFORNIA

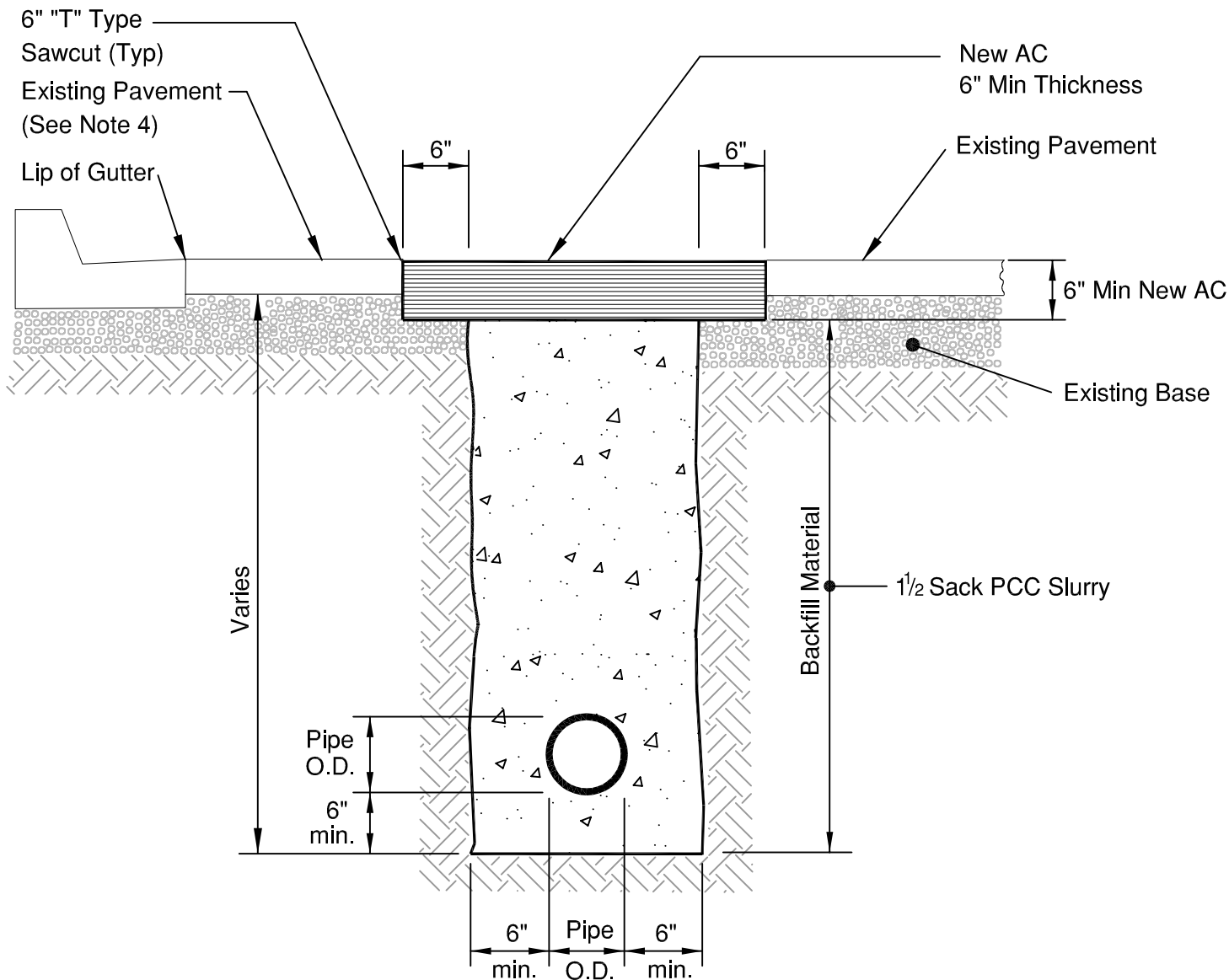
STREETS  
STREET NAME SIGN DETAIL

Rev	Date	Description
DWN:		Dwg No. ST 032
CHK:		Sheet 3 of 3

APPROVED: \_\_\_\_\_  
CITY/DISTRICT ENGINEER

APPROVED: \_\_\_\_\_  
DEPARTMENT SUPERVISOR

Scale: None  
Date:



**NOTES:**

1. All trench excavations shall conform to Article 6 of the State of California Construction Safety Orders.
2. Excavated Bay Mud shall be properly disposed of outside Foster City limits.
3. Bedding Material shall be sand for non-liquid carrying ducts.
4. If the edge of the "T" type sawcut falls within 24" of the lip of gutter, that entire section of pavement shall be removed and replaced.
5. All street cuts shall have Slurry Seal applied 12" on each side of the sawcut
6. Depending on the trench details/alignment, the method and means of construction, the city may require the paving of a full-lane width or the entire street.

File ~ J:\CITY STANDARD DETAILS 2005\Streets\ST 035.dwg

ESTERO MUNICIPAL IMPROVEMENT DISTRICT  
CITY OF FOSTER CITY, CALIFORNIA

STREETS  
UTILITY TRENCH --- PAVED AREA

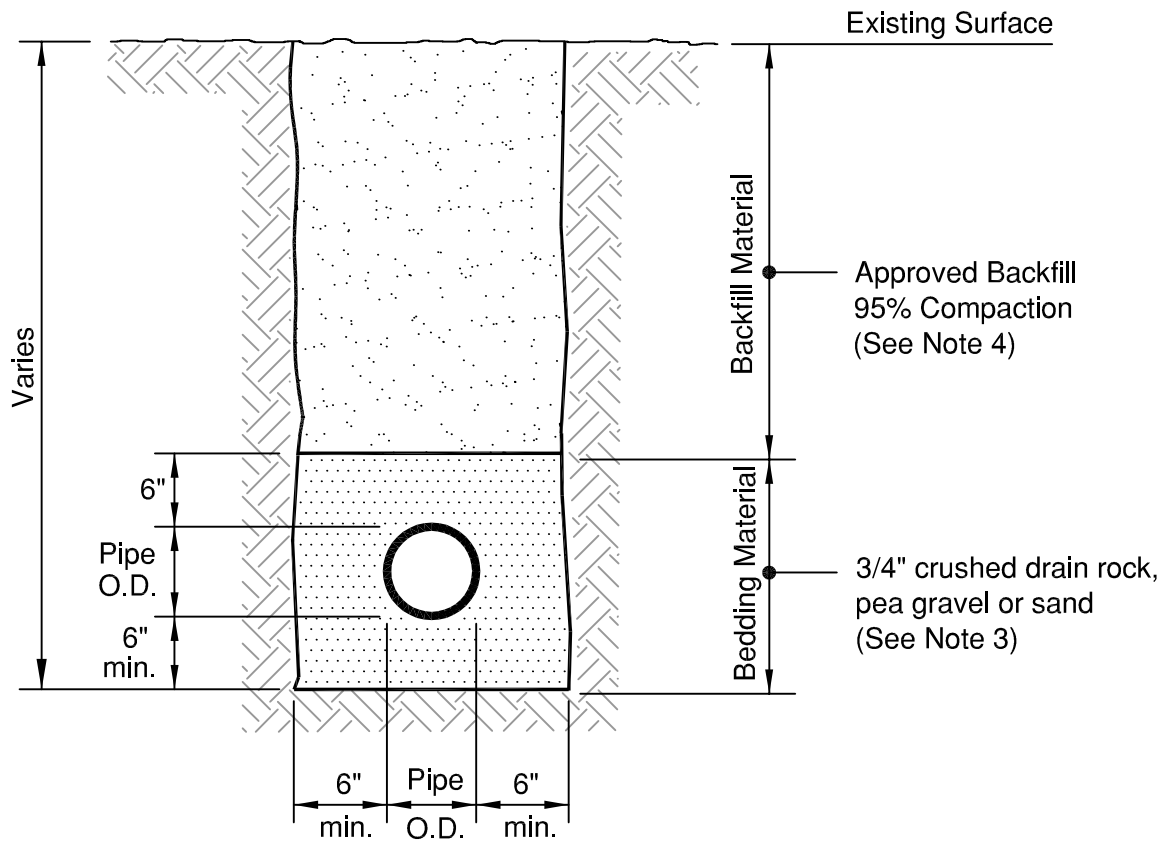
Rev	Date	Description
DWN:		Dwg No. ST 035
CHK:		Sheet of

APPROVED: \_\_\_\_\_  
CITY/DISTRICT ENGINEER

APPROVED: \_\_\_\_\_  
DEPARTMENT SUPERVISOR

Scale: None  
Date:





**NOTES:**

1. All trench excavations shall conform to Article 6 of the State of California Construction Safety Orders.
2. Excavated Bay Mud shall be properly disposed of outside Foster City limits.
3. Bedding Material shall be:
  - a. 3/4" crushed drain rock for sewer, pea gravel/sand for other liquid carrying ducts
  - b. Sand for Non-Liquid carrying ducts.
4. Backfill Material Shall be:
  - a. Material from excavation free from any debris, vegetation, stones etc.
  - b. Approved imported backfill material

File ~ J:\CITY STANDARD DETAILS 2005\Streets\ST 036.dwg

ESTERO MUNICIPAL IMPROVEMENT DISTRICT  
CITY OF FOSTER CITY, CALIFORNIA

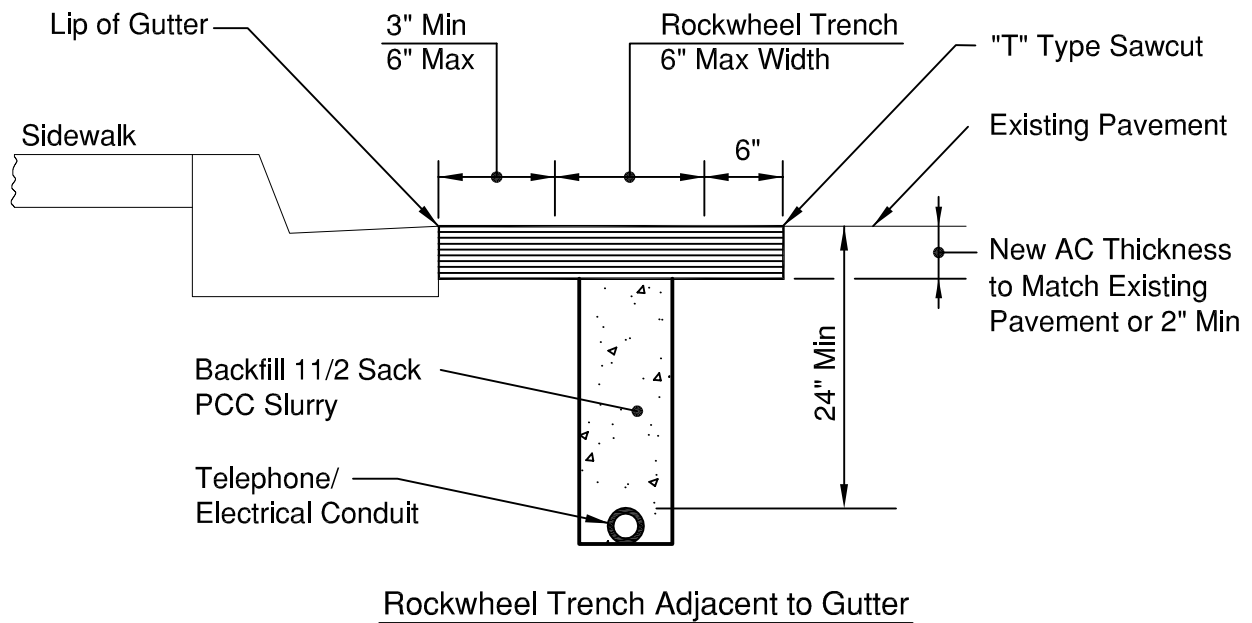
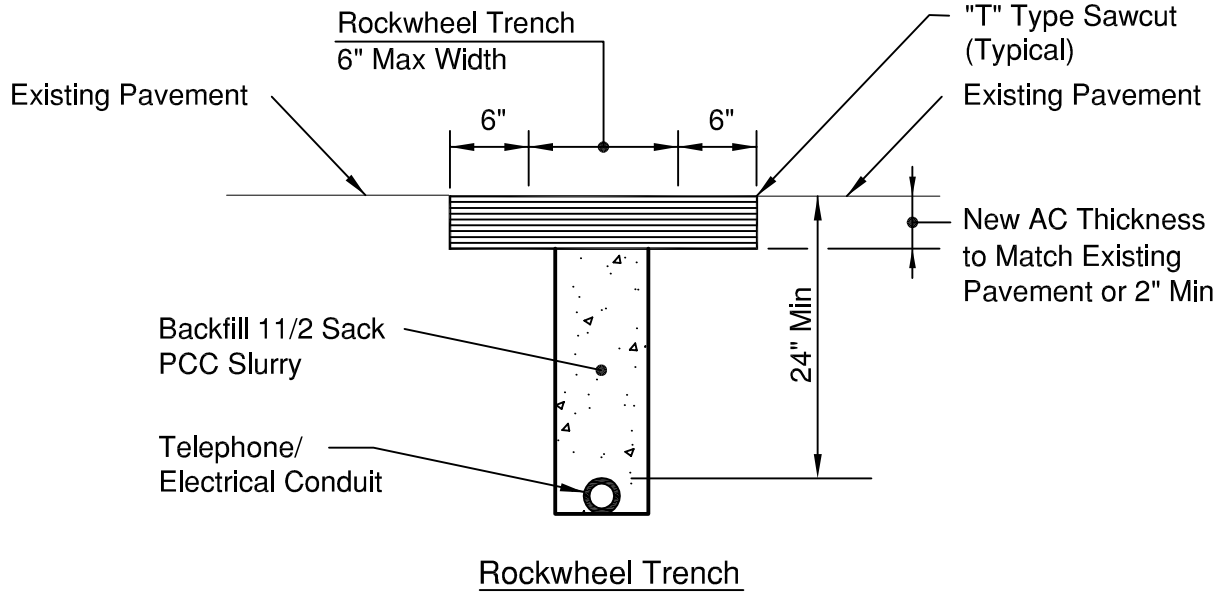
STREETS  
UTILITY TRENCH --- UNPAVED AREA

Rev	Date	Description
DWN:		Dwg No. ST 036
CHK:		Sheet of

APPROVED: \_\_\_\_\_  
CITY/DISTRICT ENGINEER

APPROVED: \_\_\_\_\_  
DEPARTMENT SUPERVISOR

Scale: None  
Date: \_\_\_\_\_



**NOTES:**

1. Excavated Bay Mud shall be properly disposed of outside Foster City limits.
2. Backfill Material shall be 1 1/2 Sack PCC Slurry

File ~ J:\CITY STANDARD DETAILS 2005\Streets\ST 037.dwg

ESTERO MUNICIPAL IMPROVEMENT DISTRICT  
CITY OF FOSTER CITY, CALIFORNIA

STREETS  
**ROCKWHEEL TRENCH**

Rev	Date	Description
DWN:		Dwg No. ST 037
CHK:		Sheet of

APPROVED: \_\_\_\_\_  
CITY/DISTRICT ENGINEER

APPROVED: \_\_\_\_\_  
DEPARTMENT SUPERVISOR

Scale: None  
Date: