

PROTOTYPICAL DECK WINDSCREEN
- FOR FUTURE INSTALLATION BY
UNIT OWNERS - SEE ATTACHED
SHEETS FOR DETAILS.

FLR.

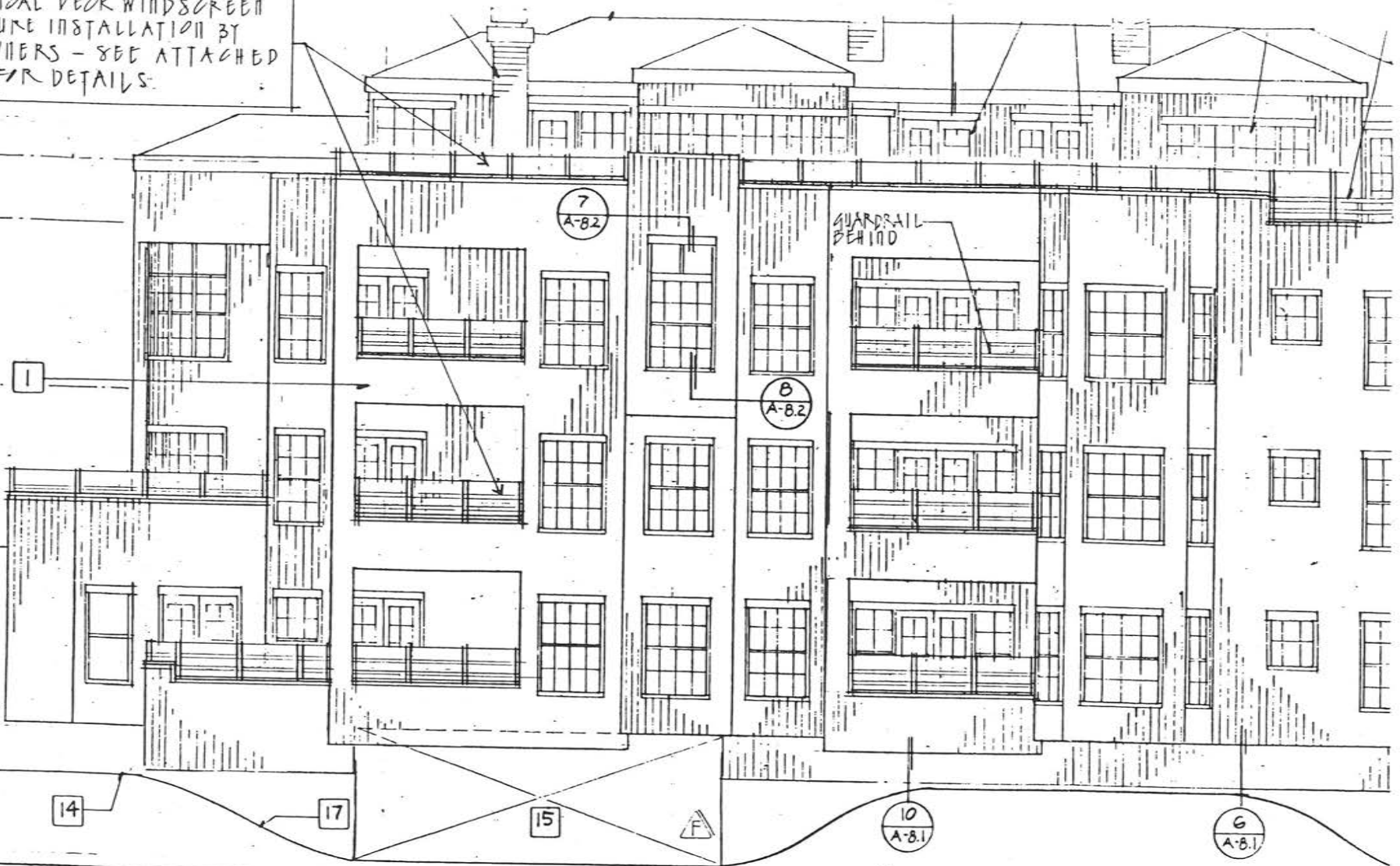
4'-0"

EXHIBIT B

F7

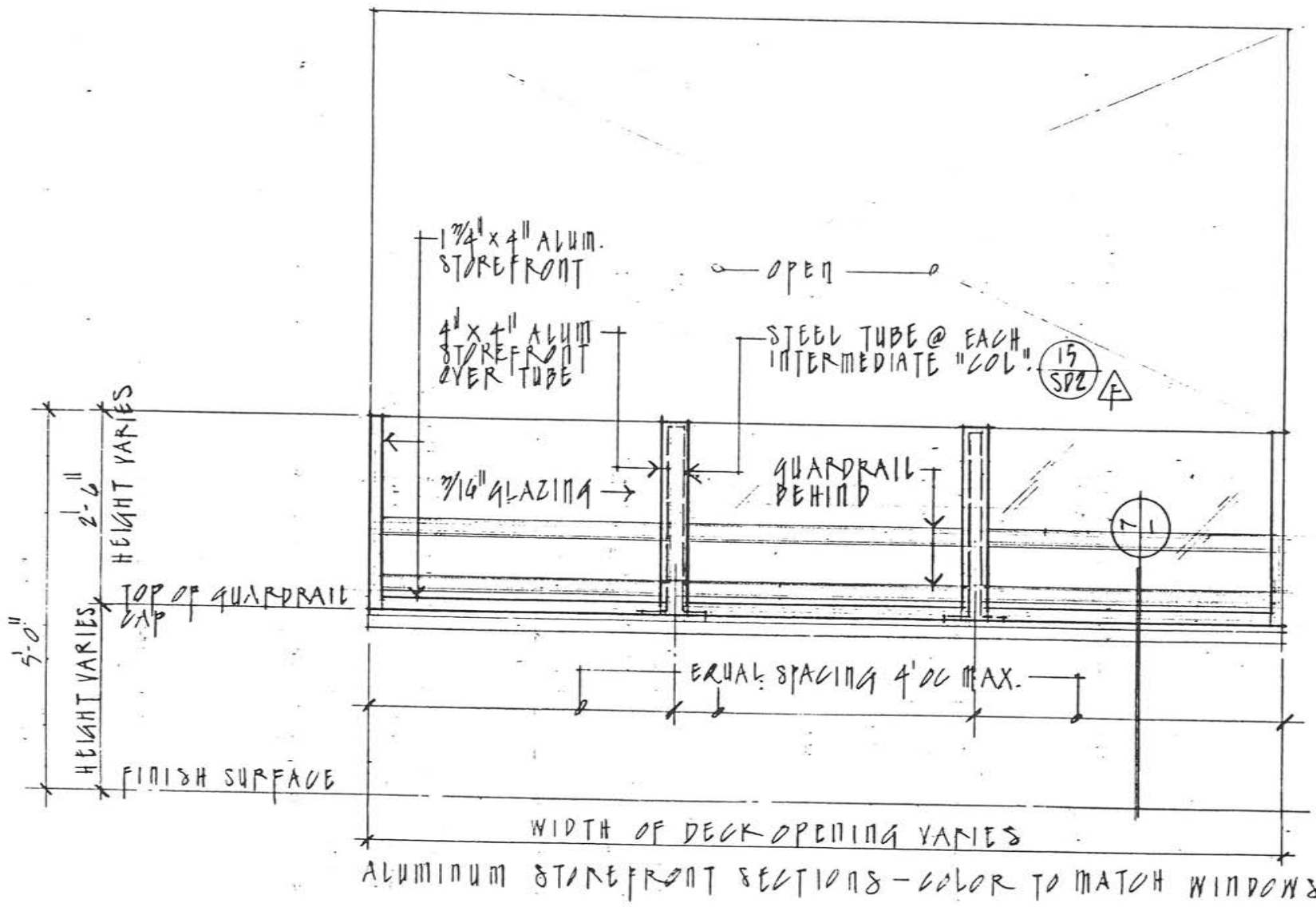
FLR.

FLR.



ELEVATION

NOTE: PROTOTYPICAL DECK WINDSCREEN - FOR FUTURE INSTALLATION BY UNIT OWNERS



DECK WINDSCREEN (P.I.C.)

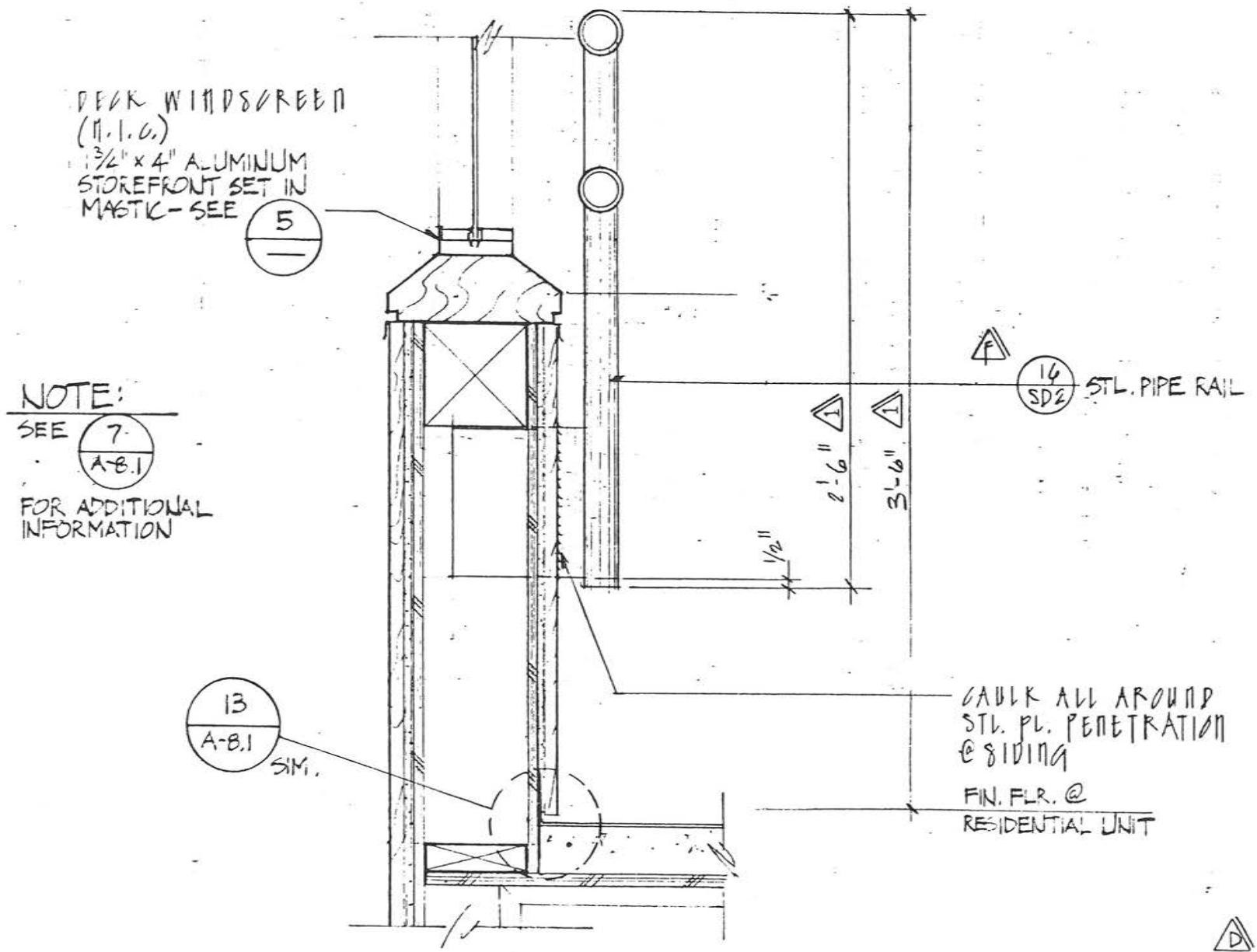
1/2" = 1'-0" 5

— BEST VIEW FLASHING —

— BUILT-UP JOINTING —



BRIDGE - BEDROOM WINDOW PLAN 2



NOTE:
SEE 7
A-B.1
FOR ADDITIONAL
INFORMATION

13
A-B.1
SIM.

CAULK ALL AROUND
STL. PL. PENETRATION
@ SIDING
FIN. FLR. @
RESIDENTIAL UNIT

GUARDRAIL NO. 3

1/2" = 1'-0"

7